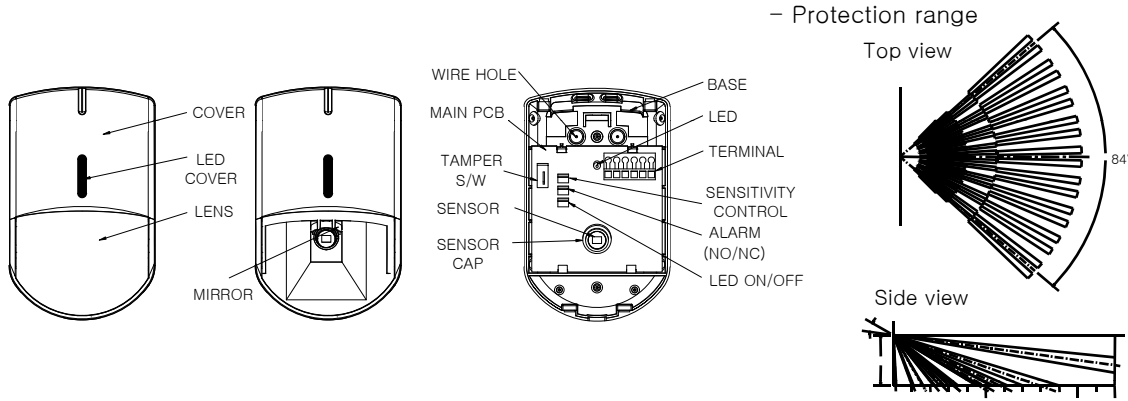


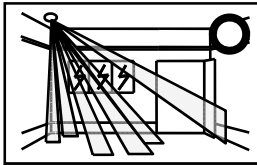
**Passive Infrared Detector
PA-4010PQ**

Notice : This detector is designed to detect an intruder and to sound alarm when detected; it is not to prevent burglary. SASO is not responsible for damage or losses from accident, theft, natural calamity, misuse, abnormal use, improper installation and bad maintenance.

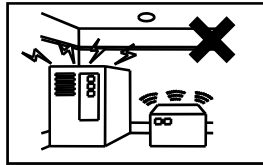
1. Description & Coverage and Range



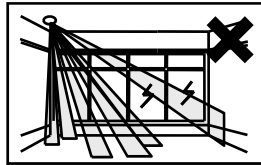
2. Cautions on Installation



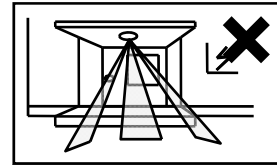
Please install the detector in the desirable detection site.



Please avoid installing it where electric noise and vibration is prevalent.



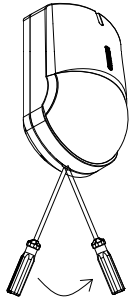
Please avoid direct sunlight to the detector.



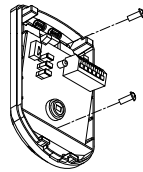
Please avoid installing it at outdoor.
(indoor use only)

3. Installation

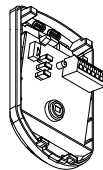
1) Separate the cover from body.



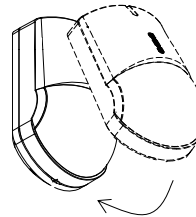
2) Fix it on the wall.



3) Connect wires correctly to the plate of terminal.

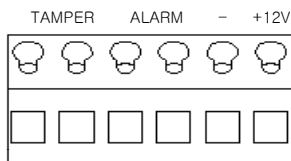


4) Close the body cover.

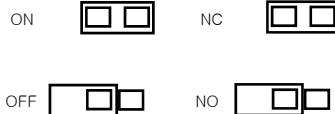


4. Wiring

- TERMINAL

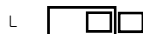


- LED(ON/OFF) - ALARM



Note:
* Please be careful with the + / - polarity when connecting.
* Please do not connect the power into the ALARM terminal.
(If you do, the terminal protecting resistance would be broken.)

- SENSITIVITY CONTROL



- ▶ H (High) : Under a good condition, you may select the high sensitivity
- ▶ L (Low) : Under a harsh condition of installation, you can select the low sensitivity.

***Note:** It is designed for indoor use only. It cannot be used for outdoor.

* Please refer to the below table to use it together with optional bracket (B-4001);

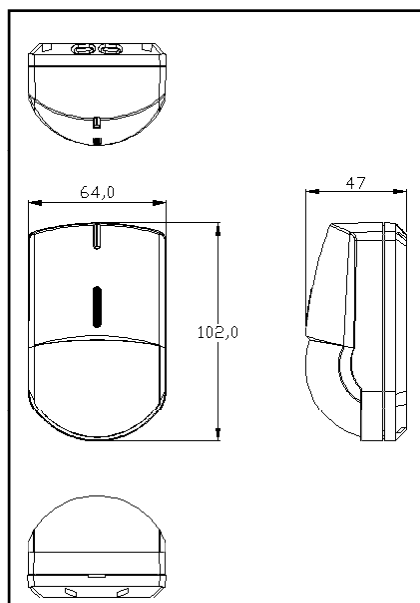
Installation Height (2.5m)	Detection Distance (m)			
	3m	5m	7m	10m
Angle	20°	10°	5°	0°

5. Troubleshooting

Symptoms	Cause	Solution
LED does not turn on	The electric cord is unconnected or cut.	Check the electric cords.
	Not enough voltage has supplied.	Supply electricity of DC 8~18V
No connecting point even though it is set well	Cutting lines or abnormality of inner circuit	Check the connection lines
No connecting point when detection occurred	Cutting lines or abnormality of inner circuit	Check the connection lines
LED light does not work when detection occurred	Cutting lines, abnormality of inner circuit or LED broken down.	Check the connection lines
Abnormal working	Some dirt on the cover	Remove dirt from the cover with soft clothes
	Exposed to direct ray of light	Move the unit to another place or block the light
	Wrong detection range adjustment	Adjust the detection range

6. Specification & Dimension

Model No.	PA-4010PQ (Pet Immunity & Quad type)
Detection System	Passive Infrared motion detecting
Alert Range	Stereoscopic alert / alert distance : 10m / 84°
Zone	37 Pairs (148 Zones)
Voltage	DC 8 ~ 18V (polarity)
Current	Max. 30mA
Alarm output	Non-voltage contact point output (choice of N.C / N.O) Time of contact point : 2 sec(± 0.5 sec) volume of contact point : AC/DC 30V 0.2A Max (Protection Resistance : 18Ω)
Alarm LED(RED)	Blink when warming up / LED off when setting / LED on when detecting
Tamper output	Non voltage contact point out put N.C Volume of contact point : AC/DC 30V 0.2A Max
Temperature	-20℃ ~ 60℃
Installation	Indoor
PET function	It can't detect small animals under 10 kg
Material	COVER, BASE: ABS resin, LENS: PE resin
Dimension	102 x 64 x 47 mm
Weight	68g



* Caution: This specification may be changed without prior notice for development

Delton

1141 Budapest, Fogarasi út 77. 1095 Budapest, Mester utca 34.
Tel.: *220-7940, 220-7814, 220-7959, Tel.: *218-5542, 215-9771, 215-7550,
220-8881, 364-3428 Fax: 220-7940 216-7017, 216-7018 Fax: 218-5542
Mobil: 30 531-5454, 30 939-9989 Mobil: 30 940-1970, 20 949-2688

E-mail: delton@delton.hu Web: www.delton.hu

www.saso.hu